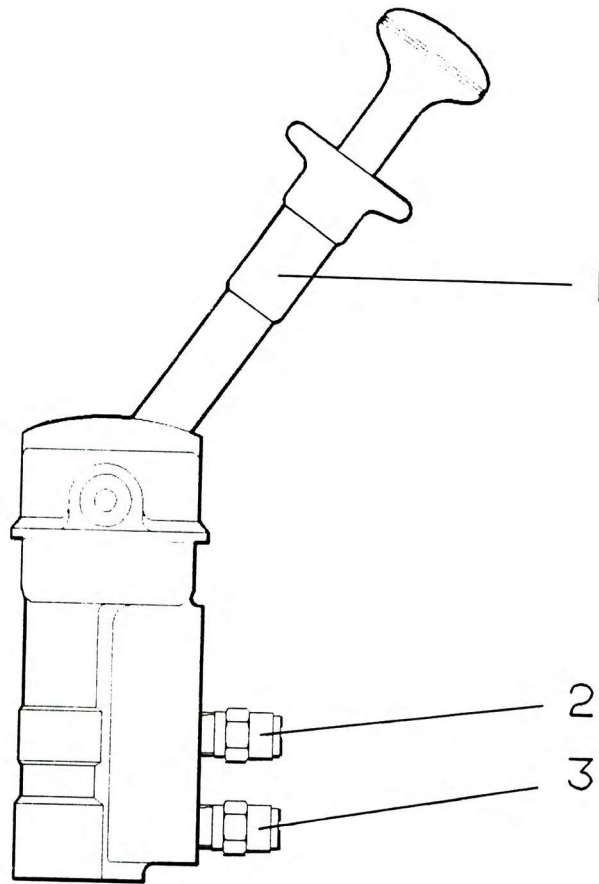


HANDBRAKE VALVE ASSEMBLY



NO.	PART NO.	QTY.	DESCRIPTION	NO.	PART NO.	QTY.	DESCRIPTION
1	# 7-926-001992	1	Valve Handbrake Control				
2	7-443-990964	1	Adaptor 1/4" NPTF x 1/4" Tube				
3	7-443-990964	1	Adaptor 1/4" NPTF x 1/4" Tube				

Serviced Complete